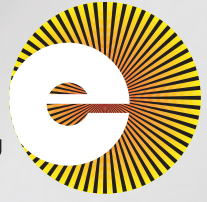
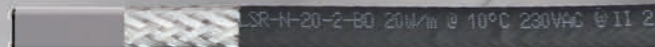


**eltherm**<sup>®</sup>  
innovations in heat tracing



**Easy!**



**Quick!**



**Safe!**



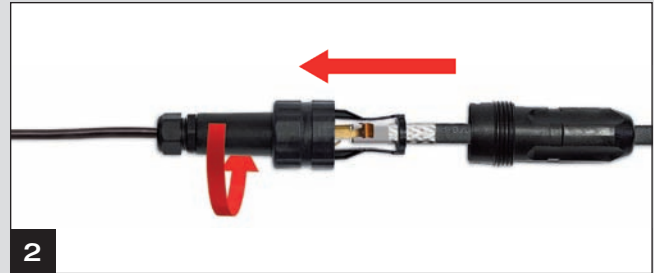
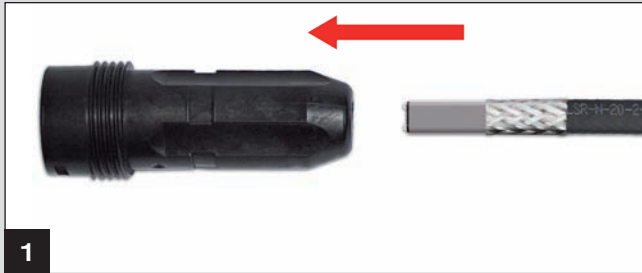
# Modular fast connection system eltherm<sup>®</sup> EL-Clic<sup>®</sup>

Innovations in  
**heat tracing**

# eltherm® modular fast connection system EL-Clic®

The easiest and fastest solution to connect self-regulating heating cable (ELSR-N, -L, -W) with the power supply is the fast connection system **EL-Clic®** from eltherm! The new modular fast connection system is already pre-assembled and therefore extremely simple to install. The termination on site takes less than **60 seconds!**

The modular system design makes the **EL-Clic®** highly flexible. 3 modules which enable power supply connections, terminations and T-connections to be easily installed.



Cut the heating cable, remove the insulation, fold back the earth braid, insert the cable into the **EL-Clic®** -C, -CP, or -S and fit the two parts together.

## Advantages

- Storage/Warehouse space and costs are greatly reduced because there are only a few modules necessary for all possible combinations
- Termination is completed in less than 60 seconds – faster than any other system!
- Junction boxes with connection sockets can also be delivered. This ensures a quick separation of the heating cable from the power supply
- Quick upgrading
- Reliable contact to the heating cable bus-wires
- VDE tested and approved
- Temperature ranges down to – 40 °C
- EL-Clic® supply lead is factory terminated and therefore can be easily connected
- The modular plug and socket system saves time in installation
- All you need for termination is a cutting knife.
- Can be used for ELSR-N, -L and -W heating cables with -AO or -BO braid

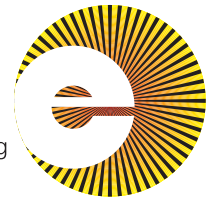
## Technical Data

Nominal Voltage: 250 V  
Nominal Current: 16 A  
Continuous temperature: – 40 °C to + 65 °C  
Casing material: UV resistant Polyamid  
Protection Class: IP 65  
Approvals: VDE

## Note

Lock nut can be removed  
(Reduction of the outer diameter)





## Modules



**EL-Clic<sup>®</sup>**



**End termination set ELVB-SREC1**



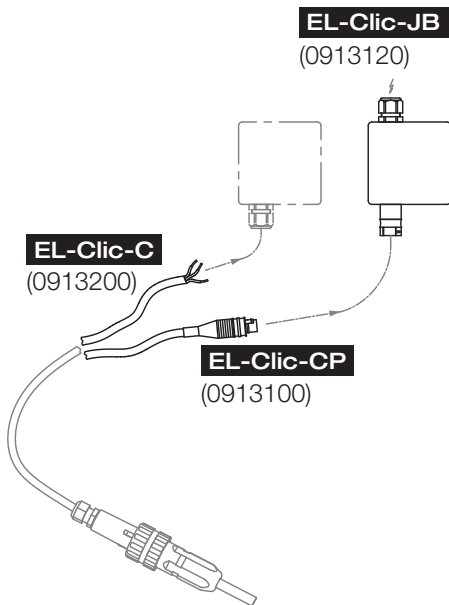
**EL-Clic<sup>®</sup>-T splice**



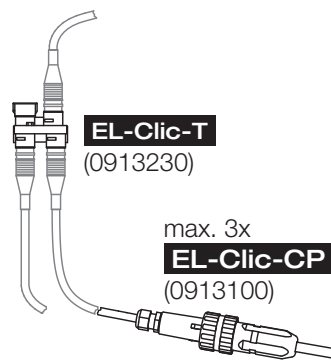
**EL-Clic<sup>®</sup>-JB junction box**

## Termination options

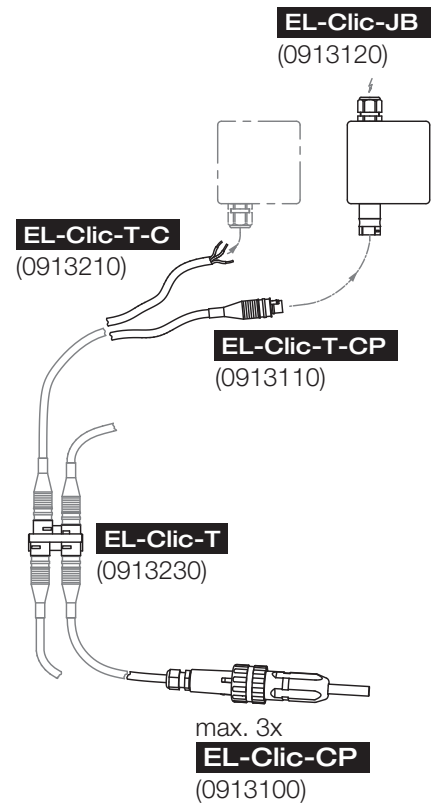
Electrical power connection



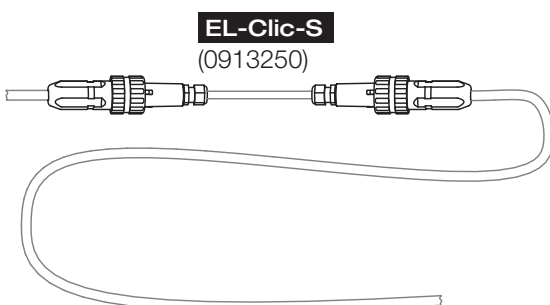
T splice



Junction box with power connection



Termination for heating cable splice



# Innovations in **heat tracing**



**Ex Area**



**Heating Cables/  
Heating Tapes**



**Self-regulating  
Heating Tapes**



**Heated Hoses/  
Heated Tubing Bundles**



**Heating Mats/  
Heating Jackets**



**Special Heating Systems**



**Measurement and  
Control Technologies**



**Building Construction**



**Eltherm Asia-Pacific Pte Ltd**  
33, Ubi Ave 3, #08-11, Vertex, Tower B  
Singapore 408868  
Tel : +65 6634-9100  
Fax : +65 6634-9101  
Website : [www.eltherm.com](http://www.eltherm.com)  
Enquiry email : [apsales@eltherm.com](mailto:apsales@eltherm.com)